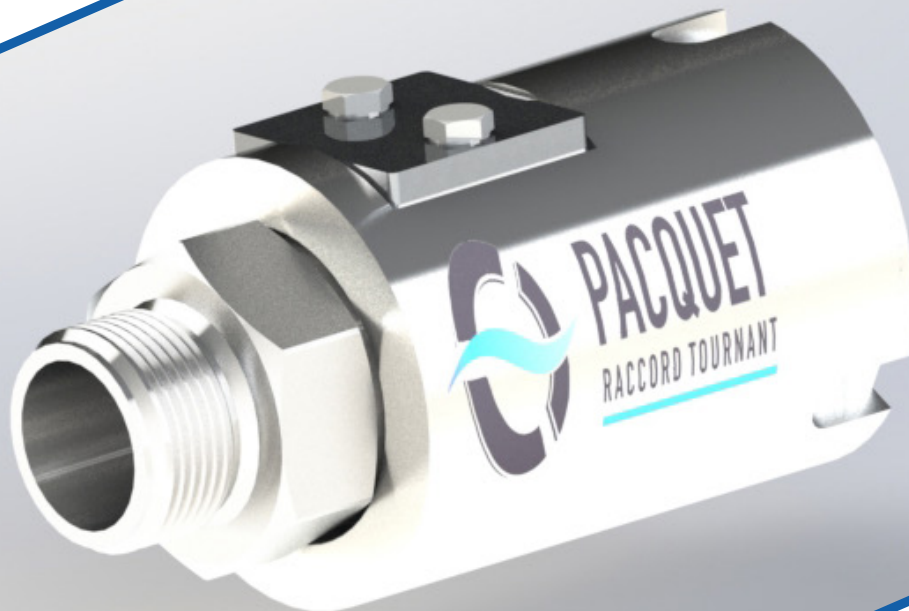




PACQUET
RACCORD TOURNANT

**CUSTOM & STANDARD
ROTARY UNIONS**

**LIQUID OR
GASEOUS FLUIDS**



TP7100 MF ROTARY UNION

1/4" TO 2"

**POSITIONING ROTARY UNION
FOR HIGH PRESSURES UP TO 500 BAR**

Size range for information purpose only - Other sizes (DN/NPS) on request

TP7100 MF ROTARY UNION - 1/4" TO 2"

POSITIONING ROTARY UNION

FOR HIGH PRESSURES UP TO 500 BAR

Other sizes (DN/NPS) on request



Joint designed for your high-pressure applications

Good resistance to mechanical loads

Very long service life

STRENGTHS AND SPECIFICITIES

- Can be used for food and hydraulic applications
- Rotating joint that can accumulate pressure and speed under certain conditions: contact us

TECHNICAL INFORMATION

- 1 passage
- Martensitic stainless steel + quenching
- Male/Female thread cylindrical BSP gas pipe (BSPP) - Others on request

- Rotation guided by a double row of ball bearings
- Main seal provided by the seal - Material adapted to your operating conditions: contact us

OPERATING CONDITIONS



Air, water, oils, vapour, gas, vacuum - Others on request



Up to 500 bar



NPS 1/4" to 2" - Others on request



Up to 120°C - Higher temperatures available on request : contact us



Orientation and/or continuous rotation

MAIN SECTORS OF ACTIVITY

- Transport - Logistics
- Civil engineering - Construction
- Robotics - Electronics

EXAMPLES OF APPLICATIONS

- Designed to be fitted at the end of a high-pressure hose and on high-pressure hose reels
- Installation on cranes
- Hydraulic press feed
- Industrial hose connection
- Machine construction

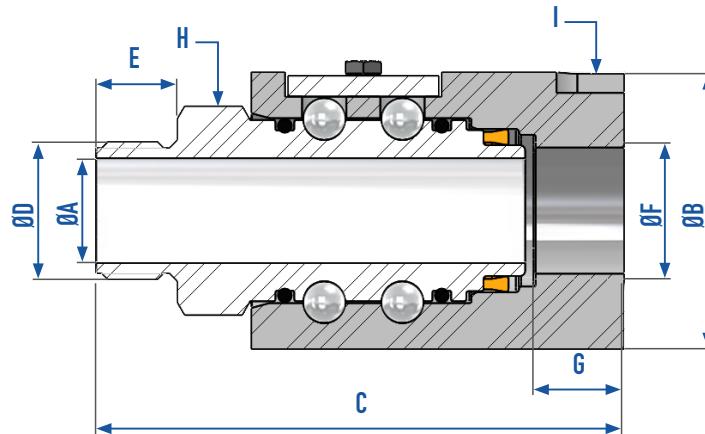
TP7100 MF ROTARY UNION - 1/4" TO 2"

POSITIONING ROTARY UNION

FOR HIGH PRESSURES UP TO 500 BAR

Other sizes (DN/NPS) on request

DIMENSIONS



TP7100 MF											
NPS	ØA	ØB	C	ØD	E	ØF	G	H	I	WEIGHT (kg)	PRESSURE MAX. (bar)
1/4"	7	41	81,5	1/4" BSPP	9,5	1/4" BSPP	13	6 faces (26 mm each)	Ø41 + 3*120° notches	0,5	500
3/8"	10	41	81,5	3/8" BSPP	9,5	3/8" BSPP	13	6 faces (26 mm each)	Ø41 + 3*120° notches	0,6	500
1/2"	13	46	91	1/2" BSPP	14	1/2" BSPP	14	6 faces (30 mm each)	Ø46 + 3*120° notches	0,8	450
3/4"	18	53	101	3/4" BSPP	16	3/4" BSPP	16	6 faces (36 mm each)	Ø53 + 3*120° notches	1,1	450
1"	24	58	111	1" BSPP	20	1" BSPP	20	6 faces (41 mm each)	Ø58 + 3*120° notches	1,3	400
1 1/4"	30	65	123	1 1/4" BSPP	24	1 1/4" BSPP	24	Ø63 + 3*120° notches	Ø65 + 3*120° notches	1,7	350
1 1/2"	38	79	134	1 1/2" BSPP	24	1 1/2" BSPP	24	Ø75 + 3*120° notches	Ø79 + 3*120° notches	2,7	300
2"	48	89	144	2" BSPP	29	2" BSPP	29	Ø85 + 3*120° notches	Ø89 + 3*120° notches	3,4	250

Rotating joint delivered with maintenance manual and assembly instructions (excluding welding instructions) - Maintenance kits available on request - Other possible configurations: contact us - The operating conditions are interdependent: do not combine pressure, speed and temperature - Cycle time: contact us



TP7100 MF ROTARY UNION: THE TECHNICAL CHARACTERISTICS DO NOT SUIT? HELP US FIND THE ROTARY UNION YOU ARE LOOKING FOR.

We adapt and custom the rotary unions we are offering. Please do not forget custom design. Our design office is here to support you.

Contact us !