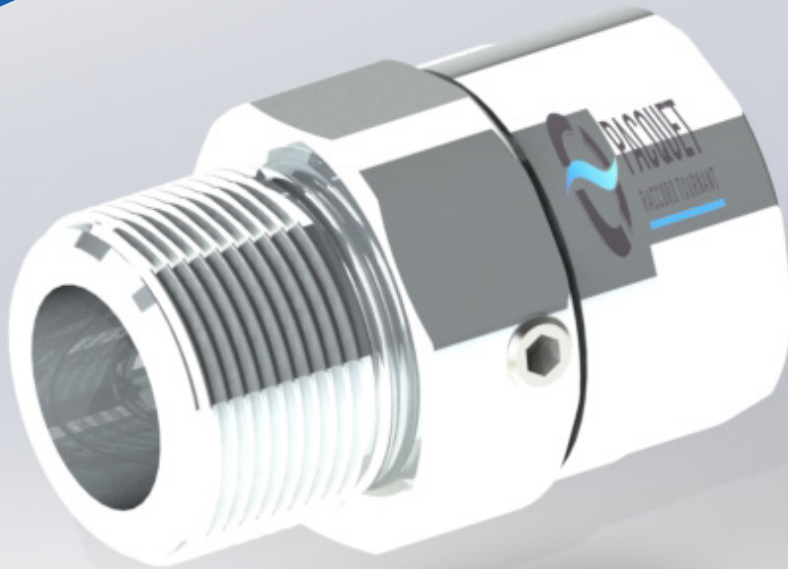




PACQUET
RACCORD TOURNANT

**CUSTOM & STANDARD
ROTARY UNIONS**

**LIQUID OR
GASEOUS FLUIDS**



TP500 MF ROTARY UNION

3/8" TO 2"

POSITIONING ROTARY UNION

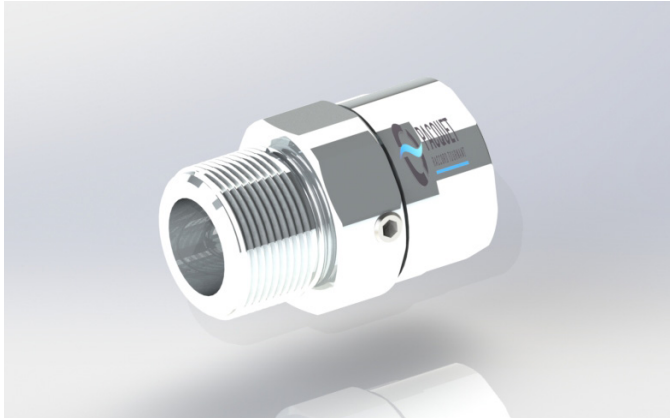
FOR YOUR STANDARD APPLICATIONS

Size range for information purpose only - Other sizes (DN/NPS) on request

TP500 MF ROTARY UNION – 3/8" TO 2"

POSITIONING ROTARY UNION FOR YOUR STANDARD APPLICATIONS

Other sizes (DN/NPS) on request



Ergonomic design

Economical rotating joint

STRENGTHS AND SPECIFICITIES

- A simple and efficient design for «light-duty» and stress-free applications
- It is short and lightweight, and easily integrated

TECHNICAL INFORMATION

- 1 passage
- Stainless steel
- Male/Female thread cylindrical BSP gas pipe (BSPP) - Others on request
- Rotation guided by a row of ball bearings
- Seal - material adapted to your operating conditions: contact us

OPERATING CONDITIONS



Air, water, oils, gas, vacuum and others



Up to 15 bar



NPS 3/8" to 2" - Others on request



Up to 90°C - Depending on the nature of the seal, higher temperatures available on request: contact us



Orientation and/or slow non-continuous rotation

MAIN SECTORS OF ACTIVITY

- Food industry
- Chemistry - Health
- Petrochemicals
- Robotics - Electronics

EXAMPLES OF APPLICATIONS

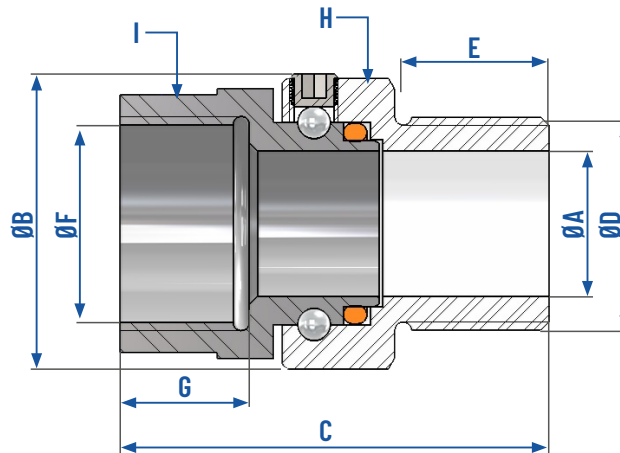
- Hose connection and orientation with accessories
- Gun handling
- Pneumatic and robotic applications

TP500 MF ROTARY UNION - 3/8" TO 2"

POSITIONING ROTARY UNION
FOR YOUR STANDARD APPLICATIONS

Other sizes (DN/NPS) on request

DIMENSIONS (IN MM)



TP500 MF											
NPS	ØA	ØB	C	ØD	E	ØF	G	H	I	WEIGHT (kg)	PRESSURE MAX. (bar)
3/8"	8,5	23	46	3/8" BSPP	10,5	3/8" BSPP	12	6 faces (24 mm each)	6 faces (21 mm each)	0,1	15
1/2"	15	31	47	1/2" BSPP	14	1/2" BSPP	15	6 faces (30 mm each)	6 faces (26 mm each)	0,1	15
3/4"	18	36	53	3/4" BSPP	19	3/4" BSPP	16	6 faces (34 mm each)	6 faces (32 mm each)	0,2	12
1"	24	42	58	1" BSPP	20	1" BSPP	19	6 faces (40 mm each)	6 faces (36 mm each)	0,23	12
1 1/4"	30	56	72	1" 1/4 BSPP	24	1" 1/4 BSPP	24	Ø56 + 3*120° notches	Ø53 + 3*120° notches	0,58	8
1 1/2"	38	71	77	1" 1/2 BSPP	24	1" 1/2 BSPP	24	Ø61 + 3*120° notches	Ø61 + 3*120° notches	0,93	8
2"	48	84	86	2" BSPP	29	2" BSPP	30	Ø84 + 3*120° notches	Ø76 + 3*120° notches	1,2	5

Ready-to-use, factory-fitted, maintenance-free swivel fitting (supplied assembled and lubricated) - Maintenance kits available on request - Other possible configurations: contact us - The operating conditions are interdependent: do not combine pressure, speed and temperature - Cycle time: contact us



**TP500 MF ROTARY UNION: THE TECHNICAL CHARACTERISTICS DO NOT SUIT?
HELP US FIND THE ROTARY UNION YOU ARE LOOKING FOR.**

We adapt and custom the rotary unions we are offering.
Please do not forget custom design. Our design office is here to support you.

Contact us !