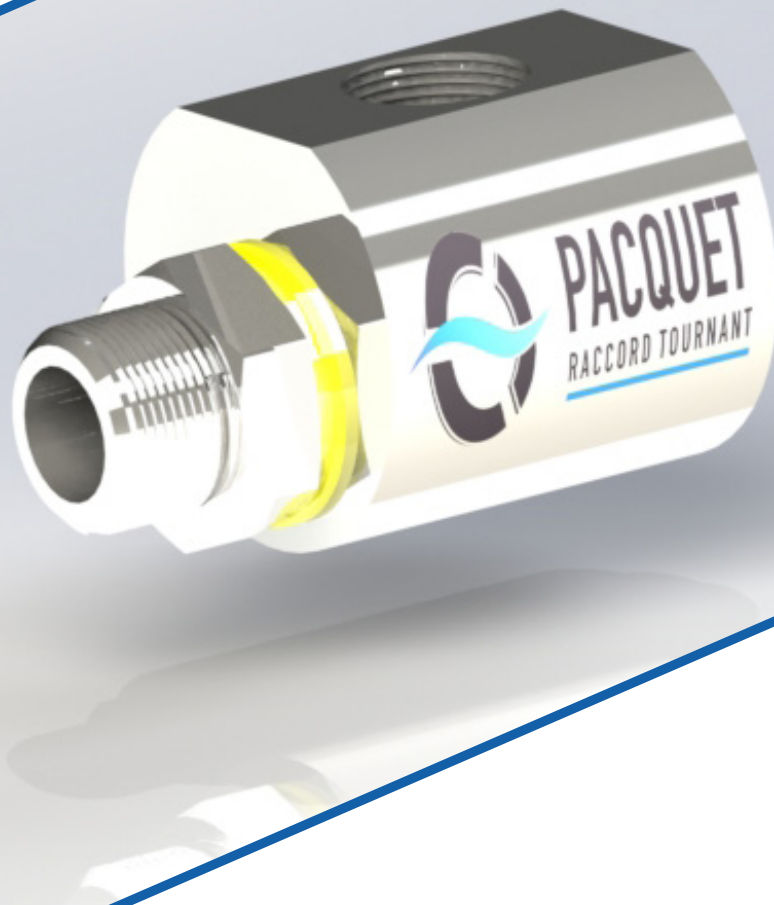




**PACQUET**  
RACCORD TOURNANT

**CUSTOM & STANDARD  
ROTARY UNIONS**

**LIQUID OR  
GASEOUS FLUIDS**



## **TP2000 MF ROTARY UNION**

### **1/4" TO 1"**

**90° ANGLE CONNECTION ROTARY UNION**  
**HIGH PRESSURE UP TO 400 BAR**

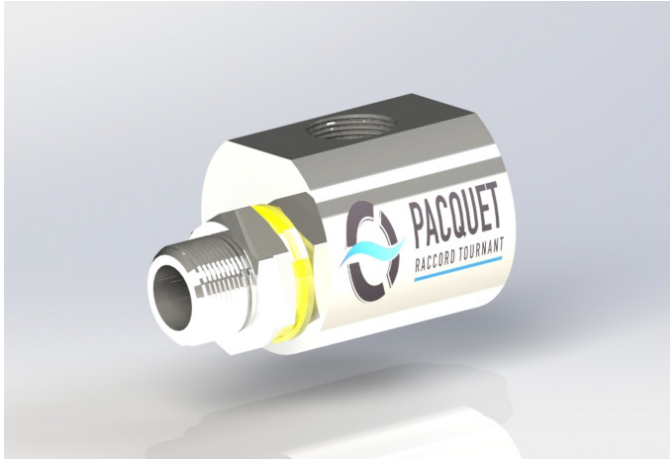
Size range for information purpose only – Other sizes (DN/NPS) on request

# TP2000 MF ROTARY UNION - 1/4" TO 1"

90° ANGLE CONNECTION

HIGH PRESSURE ROTARY UNION UP TO 400 BAR

Other sizes (DN/NPS) on request



## TECHNICAL INFORMATION

- 1 passage
- Stainless steel
- Male/Female thread cylindrical BSP gas pipe (BSPP) at a 90° angle - Others on request



Swivel fitting designed for your high-pressure applications

Ergonomic

No maintenance required

## STRENGTHS AND SPECIFICITIES

- Your Pacquet item reference as standard in a 90° angled version
- Compact and ideal for processes with space constraints
- Lubricated during assembly and self-lubricated by bearings
- Rotation guided by self-lubricating bearings
- Main seal provided by the seal - Material adapted to your operating conditions: contact us

## OPERATING CONDITIONS



Air, water, oils - Others on request



NPS 1/4" to 1" - Others on request



Orientation and/or slow non-continuous rotation



Up to 350 bar as standard - Higher pressures available depending on use: contact us



Up to 200°C - Depending on the nature of the seal: contact us

## MAIN SECTORS OF ACTIVITY

- Marine environment
- Robotics - Electronics
- Civil engineering - Construction
- Transport - Logistics

## EXEMPLES D'APPLICATION

- Reels
- Connection of high-pressure hoses
- Cleaning the inside of road tankers
- Truck hydraulic system
- Agricultural and forestry machinery

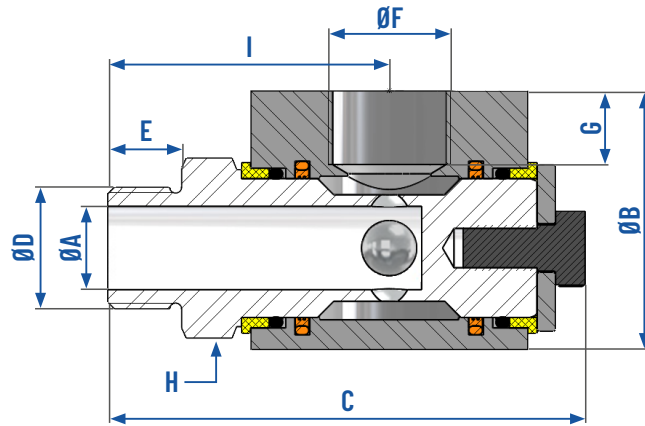
# TP2000 MF ROTARY UNION - 1/4" TO 1"

90° ANGLE CONNECTION

HIGH PRESSURE ROTARY UNION UP TO 400 BAR

Other sizes (DN/NPS) on request

## DIMENSIONS



TP2000 MF											
NPS	ØA	ØB	C	ØD	E	ØF	G	H	I	WEIGHT (kg)	PRESSURE MAX. (bar)
1/4"	7	32,5	73,5	1/4" BSPP	11	1/4" BSPP	11	6 faces (22 mm each)	43	0.3	400
3/8"	10	41	73,5	3/8" BSPP	11	3/8" BSPP	11	6 faces (22 mm each)	50	0.45	400
1/2"	13	51	89,5	1/2" BSPP	14	1/2" BSPP	15	6 faces (30 mm each)	54	0.85	350
3/4"	18	56	100,5	3/4" BSPP	16	3/4" BSPP	20	6 faces (34 mm each)	61	1.2	350
1"	24	68	103,5	1" BSPP	19	1" BSPP	20	6 faces (41 mm each)	64	1.75	300

Ready-to-use, factory-fitted, maintenance-free swivel fitting (supplied assembled and lubricated) - Maintenance kits available on request - Other possible configurations: contact us - The operating conditions are interdependent: do not combine pressure, speed and temperature - Cycle time: contact us



**TP2000 MF ROTARY UNION: THE TECHNICAL CHARACTERISTICS DO NOT SUIT?  
HELP US FIND THE ROTARY UNION YOU ARE LOOKING FOR.**

We adapt and custom the rotary unions we are offering.

Please do not forget custom design. Our design office is here to support you.

[Contact us !](#)