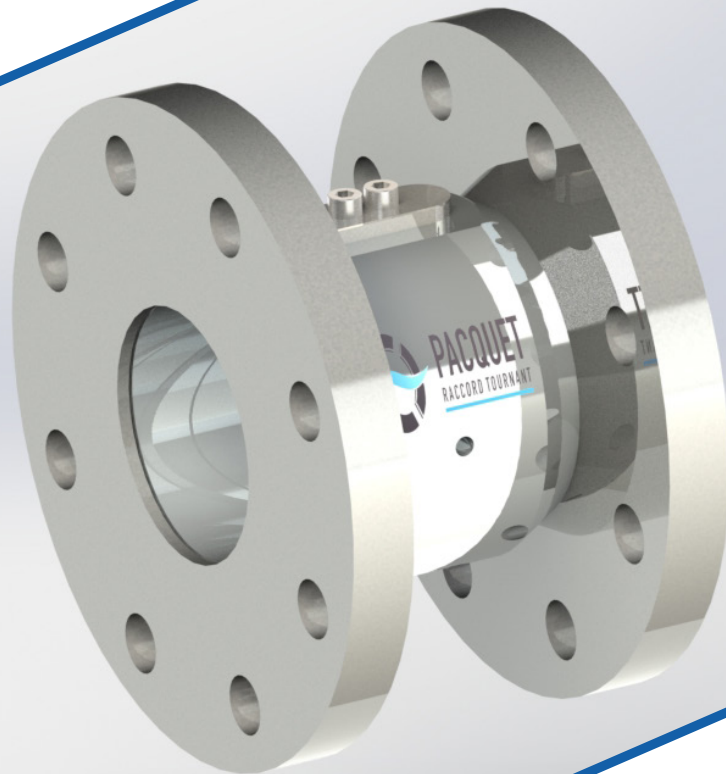




**PACQUET**  
RACCORD TOURNANT

**CUSTOM & STANDARD  
ROTARY UNIONS**

**LIQUID OR  
GASEOUS FLUIDS**



# **TP1100 RC ROTARY UNION**

## **1" TO 8"**

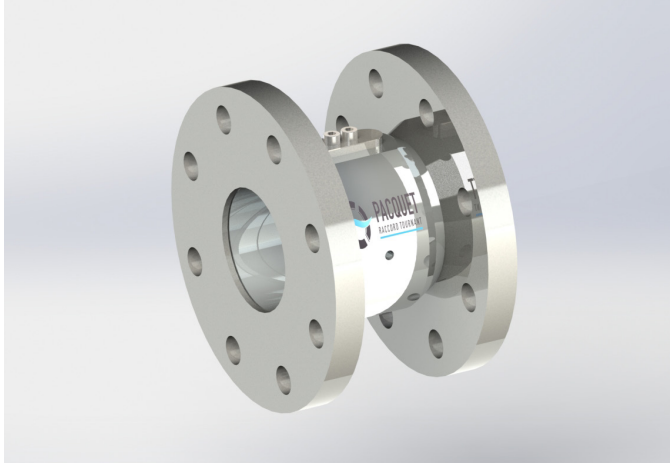
**ADJUSTABLE WELD-ON ROTARY UNION  
FLAT FLANGE CONNECTION**

Size range for information purpose only - Other sizes (DN/NPS) on request

# TP1100 RC ROTARY UNION – 1" TO 8"

## ADJUSTABLE WELD-ON ROTARY UNION FLAT FLANGE CONNECTION

Other sizes (DN/NPS) on request



Ergonomic rotating joint (short)

Ideal for processes with space constraints

### STRENGTHS AND SPECIFICITIES

- The advantages of our adjustable swivel joints applied to your installation: we construct your flat flanged version from our weld-on version !
- Assembled with PN10/16 flanges as standard

### TECHNICAL INFORMATION

- 1 passage
- Stainless steel (1" and more) - Carbon steel (2" and more with anti-corrosion coating)
- Raccordement par brides plates

- Rotation guided by a double row of ball bearings
- Main seal provided by the seal - Material adapted to your operating conditions: contact us

### OPERATING CONDITIONS



Air, water, oils, gas, vacuum and others



NPS 1" to 8" - Others on request



Orientation and/or slow non-continuous rotation



Up to 16 bar depending on the flanges - Higher pressures available on request: contact us



Up to 180°C depending on the nature of the seal and the grease used: contact us

### MAIN SECTORS OF ACTIVITY

- Food industry
- Energy - Environment - Wastewater treatment
- Robotics - Electronics
- Marine environment

### EXAMPLES OF APPLICATIONS

- Sludge unloading arm in wastewater treatment plants
- Treatment of waste
- Loading arms and hoses

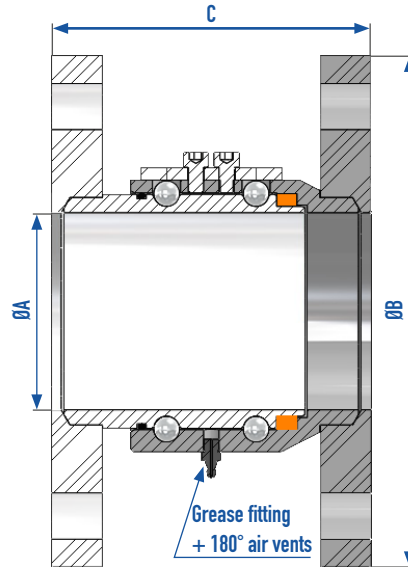
# TP1100 RC ROTARY UNION – 1" TO 8"

ADJUSTABLE WELD-ON ROTARY UNION

FLAT FLANGE CONNECTION

Other sizes (DN/NPS) on request

## DIMENSIONS



TP1100 RC						
NPS	ØA	ØB	C	E WITH PN10/16 FLANGES	WEIGHT (kg)	MAX. PRESSURE (bar)
1"	26,9	59	99	4 x Ø14 BCD 85	3,2	16
1 1/4"	35	69	103	4 x Ø18 BCD 100	4,9	16
1 1/2"	40,9	77	108	4 x Ø18 BCD 110	5,76	16
2"	53	165	110	4 x Ø18 BCD 125	7	16
2 1/2"	63	185	115	4 x Ø18 BCD 145	9	16
3"	76	200	120	8 x Ø18 BCD 160	10,2	16
4"	100	220	130	8 x Ø18 BCD 180	13,7	16
5"	128	266	135	8 x Ø18 BCD 210	16,9	16
6"	148	250	140	8 x Ø22 BCD 240	21,8	16
8"	202	340	147	12 x Ø22 BCD 295	30,2	10 or 16 bar (flanges may impact)

Rotating joint delivered with maintenance manual and assembly instructions (excluding welding instructions) - Maintenance processes: contact us - Kits maintenance disponibles sur demande - Maintenance kits available on request - Other possible configurations: contact us - The operating conditions are interdependent: do not combine pressure, speed and temperature



**TP1100 RC ROTARY UNION: THE TECHNICAL CHARACTERISTICS DO NOT SUIT?  
HELP US FIND THE ROTARY UNION YOU ARE LOOKING FOR.**

We adapt and custom the rotary unions we are offering.  
Please do not forget custom design. Our design office is here to support you.

[Contact us !](#)