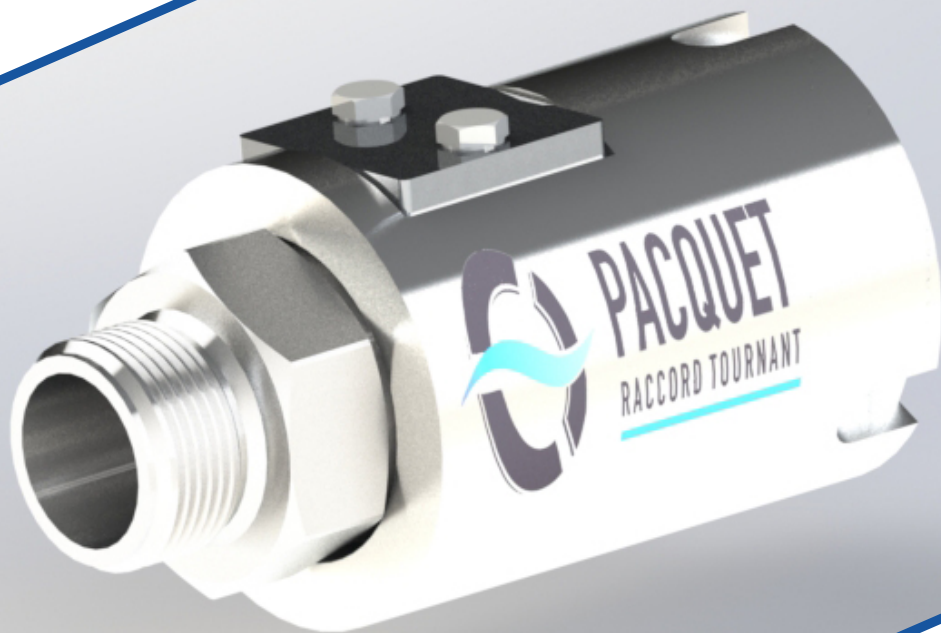




**PACQUET**  
RACCORD TOURNANT

**CUSTOM & STANDARD  
ROTARY UNIONS**

**LIQUID OR  
GASEOUS FLUIDS**



## **TP1100 MF ROTARY UNION**

### **1/4" TO 2"**

**MULTIPURPOSE HEAVY-DUTY ROTARY UNION  
THAT IS SUITABLE FOR MANY APPLICATIONS**

Size range for information purpose only – Other sizes (DN/NPS) on request

# TP1100 MF ROTARY UNION - 1/4" TO 2"

MULTIPURPOSE HEAVY-DUTY ROTARY UNION  
THAT IS SUITABLE FOR MANY APPLICATIONS

Other sizes (DN/NPS) on request



Easy assembly

No maintenance

Good resistance to mechanical loads

## STRENGTHS AND SPECIFICITIES

- Excellent quality/price ratio: heavy-duty reliable swivel fitting at a controlled cost
- One of Pacquet's flagship products for a number of years now
- Suitable for food processing - albeit with retention zones

## TECHNICAL INFORMATION

- 1 passage
- Martensitic stainless steel (food)
- Male/Female thread cylindrical BSP gas pipe (BSPP) - Others on request
- Rotation guided by a double row of ball bearings
- Main seal provided by the seal - Material adapted to your operating conditions: contact us

## OPERATING CONDITIONS



Air, water, oils, gas, vacuum and others



Up to 50 bar



NPS 1/4" to 2" - Others on request



Up to 180°C - Depending on the nature of the seal and the grease used: contact us



Orientation and/or slow non-continuous rotation non continue

## MAIN SECTORS OF ACTIVITY

- Food industry
- Energy - Environment - Wastewater treatment
- Chemistry - Health
- Petrochemicals
- Foundry

## EXAMPLES OF APPLICATIONS

- Hose orientation
- Low-pressure reels bearing external mechanical loads
- Upstream installation of a washing or filling rod
- Gun mounting if pressure is high

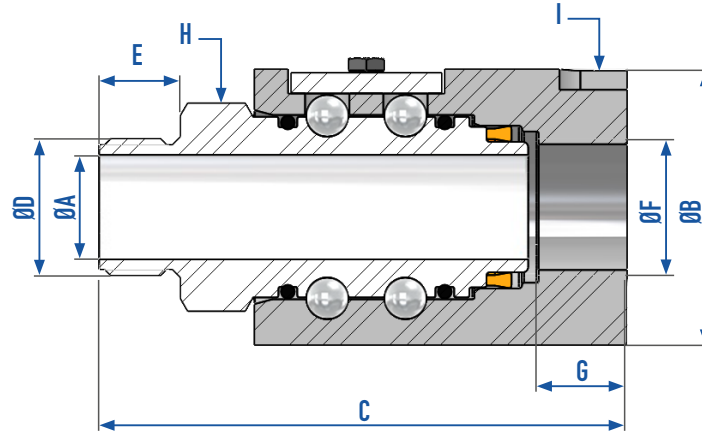
# TP1100 MF ROTARY UNION - 1/4" TO 2"

MULTIPURPOSE HEAVY-DUTY ROTARY UNION

THAT IS SUITABLE FOR MANY APPLICATIONS

Other sizes (DN/NPS) on request

## DIMENSIONS



TP1100 MF											
NPS	ØA	ØB	C	ØD	E	ØF	G	H	ØI	WEIGHT (kg)	PRESSURE MAX. (bar)
1/4"	7	41	81.5	1/4" BSPP	9.5	1/4" BSPP	13	6 faces (26 mm each)	41	0,5	50
3/8"	10	41	81.5	3/8" BSPP	9.5	3/8" BSPP	13	6 faces (26 mm each)	41	0,6	50
1/2"	13	46	91	1/2" BSPP	14	1/2" BSPP	14	6 faces (30 mm each)	46	0,8	40
3/4"	18	53	101	3/4" BSPP	16	3/4" BSPP	16	6 faces (36 mm each)	53	1,1	40
1"	24	58	111	1" BSPP	20	1" BSPP	20	6 faces (41 mm each)	58	1,3	40
1 1/4"	30	65	123	1 1/4" BSPP	24	1 1/4" BSPP	24	Ø63 + 3*120° notches	65	1,7	30
1 1/2"	38	79	134	1 1/2" BSPP	24	1 1/2" BSPP	24	Ø75 + 3*120° notches	79	2,7	30
2"	48	89	144	2" BSPP	29	2" BSPP	29	Ø85 + 3*120° notches	89	3,4	20

Rotating joint delivered with maintenance manual and assembly instructions (excluding welding instructions) - Maintenance kits available on request - Other possible configurations: contact us - The operating conditions are interdependent: do not combine pressure, speed and temperature - Cycle time: contact us



**TP1100 MF ROTARY UNION: THE TECHNICAL CHARACTERISTICS DO NOT SUIT? HELP US FIND THE ROTARY UNION YOU ARE LOOKING FOR.**

We adapt and custom the rotary unions we are offering.

Please do not forget custom design. Our design office is here to support you.

[Contact us !](#)