



PACQUET
RACCORD TOURNANT

**CUSTOM & STANDARD
ROTARY UNIONS**

**LIQUID OR
GASEOUS FLUIDS**



TP1100 SMS ROTARY UNION

SMS25 TO SMS104

WELD-ON ROTARY UNION

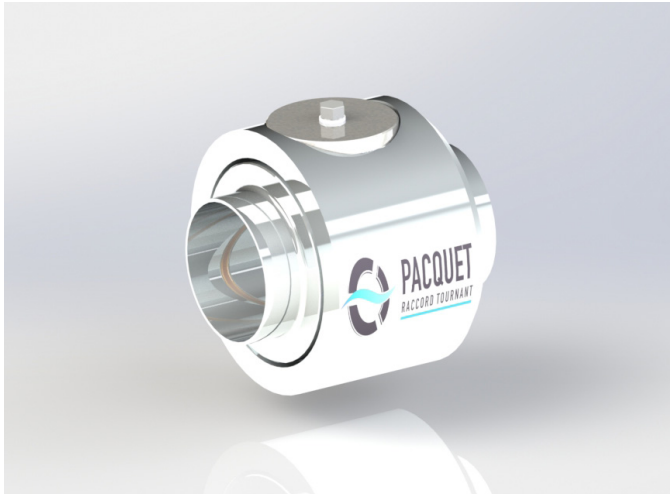
FOR YOUR FOOD APPLICATIONS

Size range for information purpose only - Other sizes (DN/NPS) on request

RACCORD TOURNANT TP1100 SMS – SMS25 À SMS104

WELD-ON ROTARY UNION FOR YOUR FOOD APPLICATIONS

Other sizes (DN/NPS) on request



Made entirely out of stainless steel

Swivel fitting without retention zone

For food-related as well as pharmaceutical and cosmetic applications

STRENGTHS AND SPECIFICITIES

- 3.1B material certificate for the stainless steel used in the manufacturing
- FDA food-grade certificate, 1935/2004 EC for the seals
- SMS standard dimensions as standard (DIN, MACON, CLAMP, others also available on request)

TECHNICAL INFORMATION

- 1 passage
- Stainless steel
- Weld-on rotating joint
- Rotation guided by double row of ball bearings
- Main seal provided by an FDA standard certified seal, 1935/2004 EC

OPERATING CONDITIONS



Fluids for food, pharmaceutical and cosmetic applications



Up to 10 bar



SMS25 to SMS104 - Others on request



Up to 180°C - Depending on the nature of the seal and the grease used : contact us



Orientation and/or slow non-continuous rotation

MAIN SECTORS OF ACTIVITY

- Food industry, food fluids
- Chemistry - Health, fine chemicals

EXAMPLES OF APPLICATIONS

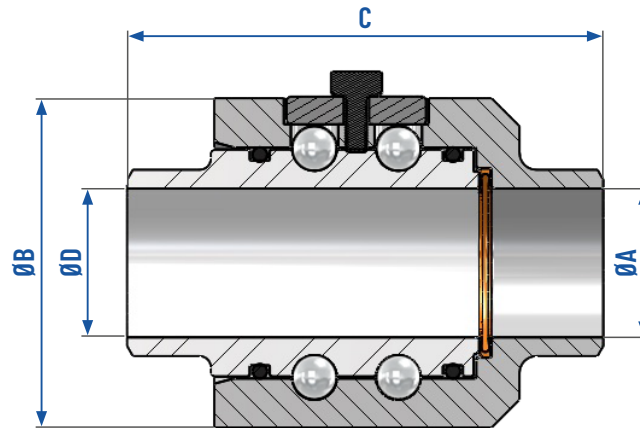
- Clean-in-place (CIP)
- Transfer of cosmetic products
- Manufacture of perfumes
- Manufacture of human and animal foodstuffs
- Dairy industry

RACCORD TOURNANT TP1100 SMS – SMS25 À SMS104

WELD-ON ROTARY UNION
FOR YOUR FOOD APPLICATIONS

Other sizes (DN/NPS) on request

DIMENSIONS



TP1100 SMS						
SMS	ØA	ØB	C	ØD	WEIGHT (kg)	MAX. PRESSURE (bar)
25	22,5	62	83	25	1,1	10
38	35,6	69	85	38	1.5	10
51	48,5	92	92,2	51	1,8	10
63	60,5	96	92,2	63	1,9	8
76	72,8	119	96,2	76	3.2	8
104	100	144	96,2	104	3,8	8

Rotating joint delivered with maintenance manual and assembly instructions (excluding welding instructions) - Equipped with a lubricator : lubrication intervals to be defined according to your operating conditions - Maintenance kits available on request - Other possible configurations : contact us - The operating conditions are interdependent : do not combine pressure, speed and temperature - Cycle time : contact us



**TP1100 SMS ROTARY UNION : THE TECHNICAL CHARACTERISTICS DO NOT SUIT?
HELP US FIND THE ROTARY UNION YOU ARE LOOKING FOR.**

We adapt and custom the rotary unions we are offering.
Please do not forget custom design. Our design office is here to support you.

Contact us !